

KMINI & KMINI2 LED Street Light

5 YEAR
WARRANTY



Areas of application

- Urban roads
- Express roads
- Town roads
- Residential area roads
- Pedestrian crossings
- Parking areas

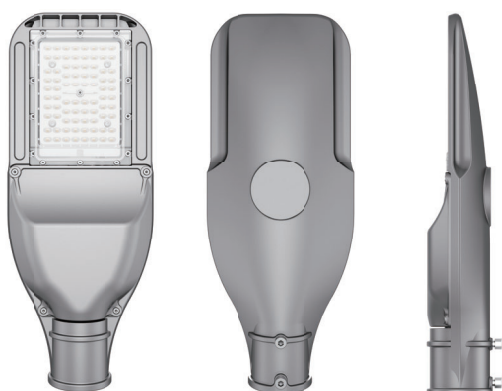
Product Benefits

- 70% energy saving, short ROI period
- Up to 100,000hrs @ L70, low maintenance cost
- World-class, certified quality components (LEDs, Drivers)
- Smart design, low transportation costs
- 5 years warranty



Structure Drawing

SERIES-Kmini

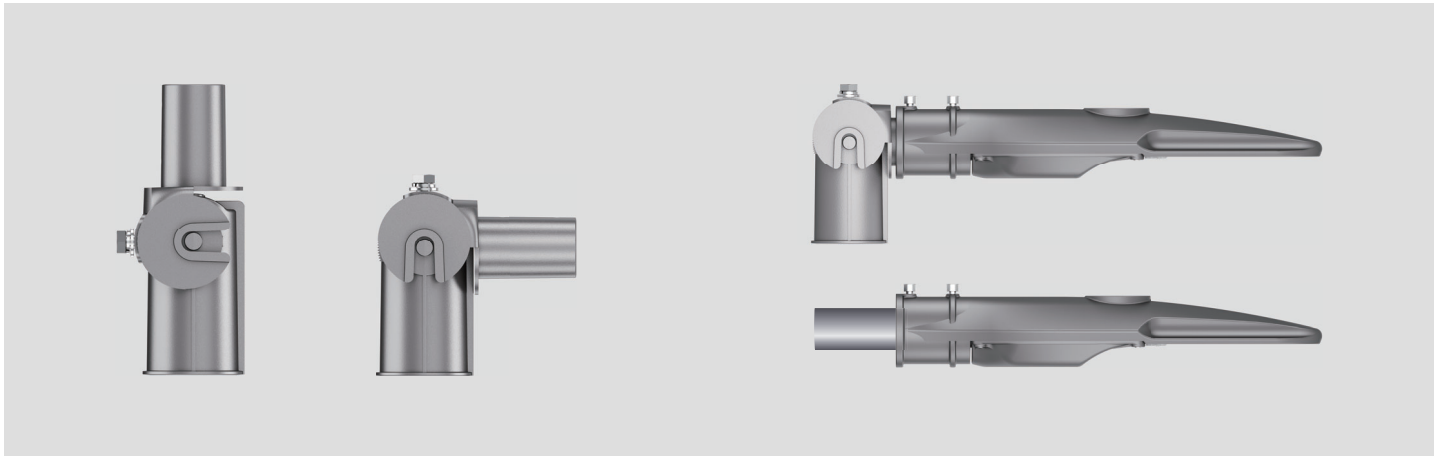


SERIES-Kmini2



Product Datasheet

SERIES-Kmini

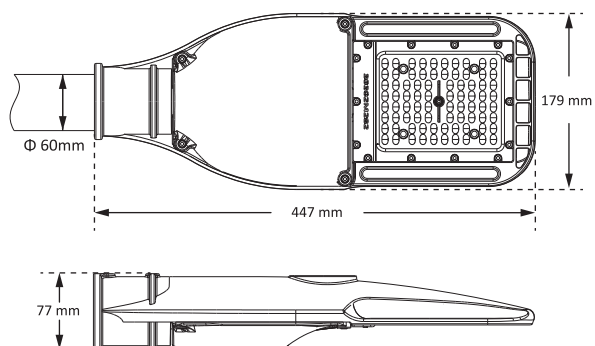


Model No		ZGSM-LD20kmini	ZGSM-LD20kmini+	ZGSM-LD30kmini	ZGSM-LD30kmini+	ZGSM-LD40kmini
Nominal Wattage		20W	20W	30W	30W	40W
3030 Version	Efficiency Lumen	146 lm /w 2920 lm	156 lm /w 3120 lm	140 lm /w 4200 lm	151 lm /w 4530 lm	140 lm /w 5600 lm
5050 Version	Efficiency Lumen	154 lm /w 3080 lm	160 lm /w 3200 lm	154 lm /w 4620 lm	-- --	150 lm /w 6000 lm
Model No		ZGSM-LD40kmini+	ZGSM-LD50kmini			
Nominal Wattage		40W	50W			
3030 Version	Efficiency Lumen	147 lm /w 5880 lm	142 lm /w 7100 lm			
5050 Version	Efficiency Lumen	-- --	150 lm /w 7500 lm			

*Above values are calculated based on the product with CCT over 3000K, values of 3000K are 5% lower than above values.

*Values shown are subject to ±5% tolerance.

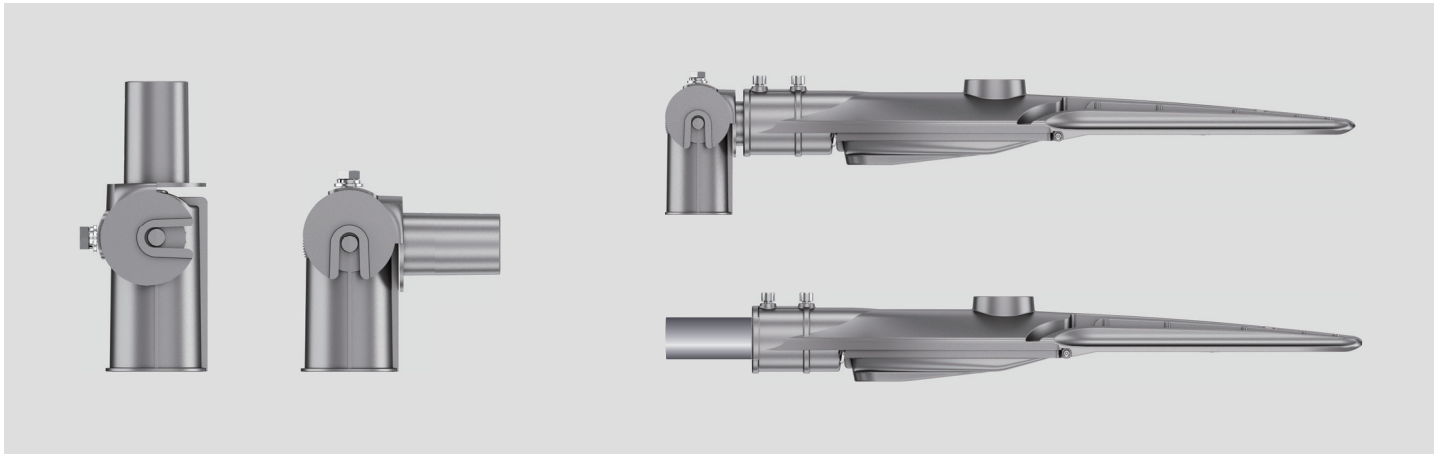
Fixture & Package Information



	Dimension	Weight
Fixture	447 x 179 x 77mm	2.3kg
Package	465 x 200 x 100mm	2.7kg

Product Datasheet

SERIES-Kmini2

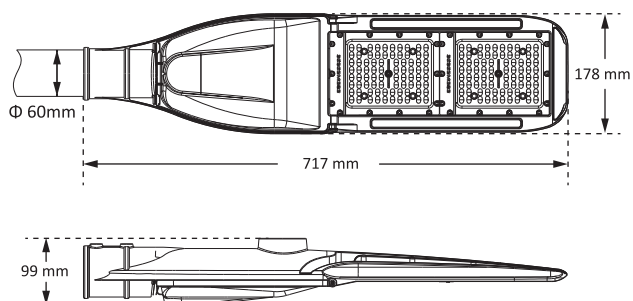


Model No		ZGSM-LD60kmini2	ZGSM-LD60kmini2+	ZGSM-LD70kmini2	ZGSM-LD70kmini2+	ZGSM-LD80kmini2
Nominal Wattage		60W	60W	70W	70W	80W
3030 Version	Efficiency Lumen	140 lm /w 8400 lm	153 lm /w 9180 lm	135 lm /w 9450 lm	153 lm /w 10710 lm	144 lm /w 11520 lm
5050 Version	Efficiency Lumen	153 lm /w 9180 lm	163 lm /w 9780 lm	150 lm /w 10500 lm	160 lm /w 11200 lm	156 lm /w 12480 lm
Model No		ZGSM-LD80kmini2+	ZGSM-LD90kmini2	ZGSM-LD90kmini2+	ZGSM-LD100kmini2	ZGSM-LD100kmini2+
Nominal Wattage		80W	90W	90W	100W	100W
3030 Version	Efficiency Lumen	153 lm /w 12240 lm	140 lm /w 12600 lm	150 lm /w 13500 lm	137 lm /w 13700 lm	146 lm /w 14600 lm
5050 Version	Efficiency Lumen	160 lm /w 12800 lm	153 lm /w 13770 lm	157 lm /w 14130 lm	150 lm /w 15000 lm	154 lm /w 15400 lm
Model No		ZGSM-LD110kmini2	ZGSM-LD120kmini2	ZGSM-LD130kmini2	ZGSM-LD150kmini2	
Nominal Wattage		110W	120W	130W	150W	
3030 Version	Efficiency Lumen	143 lm /w 15730 lm	140 lm /w 16800 lm	136 lm /w 17680 lm	130 lm /w 19500 lm	
5050 Version	Efficiency Lumen	155 lm /w 17050 lm	152 lm /w 18240 lm	150 lm /w 19500 lm	140 lm /w 21000 lm	

*Above values are calculated based on the product with CCT over 3000K, values of 3000K are 5% lower than above values.

*Values shown are subject to ±5% tolerance.

Fixture & Package Information



	Dimension	Weight
Fixture	717 x 178 x 99mm	3.8kg
Package	735 x 195 x 120mm	4.4kg

Product Datasheet

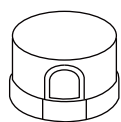
Electrical Data:

Nominal Voltage	AC 100-240V /277V 50 /60Hz
LED	Lumileds
Driver	MeanWell / Inventronics
Power Factor (PF)	>0.95
THD	<10
SPD	10KV (Default) / 20KV (available on request)
Optics	Type II
Standard Deviation of Color Matching	<5 SDCM
CRI	Ra>70
CCT	1800K, 2200K, 2700K, 3000K, 4000K, 5000K, 5700K, 6500K

General Data

Body Material	High pressure die-cast aluminum
Housing Color	Deep grey
Housing Material	Die-cast aluminum
Lens Material	UV-resistant Polycarbonate
Working Environment	-40°C ~ +50°C, 10% ~ 90%RH
Lifespan L70 at 25 °C	>100, 000 h
Mounting Type	Side entry
Dimmable	1-10V Dimming (Default) /Timer Dimming /DALI Dimming
Protection Class	Class I (Default) /Class II
Standards	CE, RoHS, ENEC , CB, LM79, LM80, TM-21, IP66, IK08/ IK10, IEC62471, IEC60068-2-6, IEC61643-11, Zhaga-D4i
Available on request	NEMA socket (3/5/7pins), ZHAGA socket, Short cap, Photocell, NTC, OLC, Solar Compatible, DALI Dimming, Smart Controller

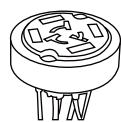
Optional accessories



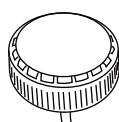
Photocell



Shorting Cap



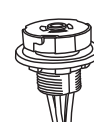
NEMA Socket
(3 /5 /7pin)



Motion Sensor



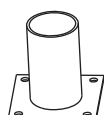
Smart Controller



ZHAGA Socket



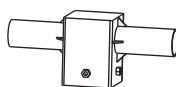
"60-40mm"



"T" Type



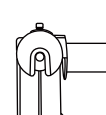
"L" Type



"2" in "1"

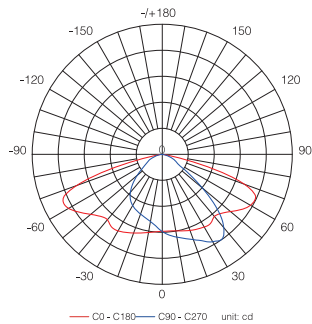


"4" in "1"

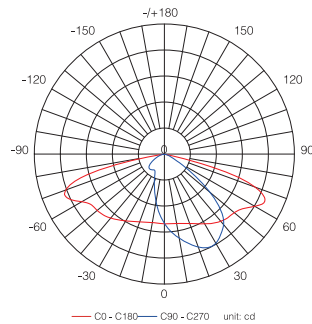


"60-60mm"
"60-80mm"

Light Distributions



3030 Version TYPE II

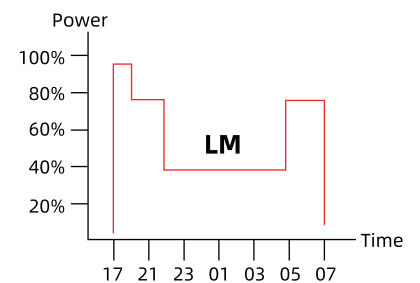


5050 Version TYPE II BLS

Control Systems

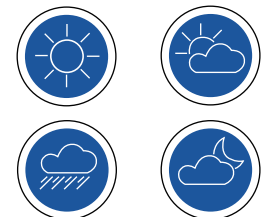
Custom Dimming Profile

Intelligent luminaire drivers can be programmed to follow complex dimming profiles, allowing for customized combinations of time intervals and light levels without the need for extra wiring. The period during which the lights are switched on until they are switched off is used to implement the preset dimming profile. This custom dimming system achieves maximum energy savings while maintaining the required levels of lighting uniformity throughout the night.



Daylight Sensor /Photocell

Photocell or daylight sensors activate the luminaire when natural light drops below a certain level. They can be programmed to switch on during storms, on cloudy days (in critical areas), or only at dusk to ensure safety and comfort in public spaces.



Smart Control System

Luminaire Controller Zhaga (optional):

This is an easy-to-install wireless device designed for remote control of LED luminaires. The device is equipped with Zhaga-compliant connectors and can control luminaires via DALI 2.0 or D4I interfaces. Now supporting LoRaWAN®, ZIGBEE and 4G networks, the controller's modern and compact design is ideal for a variety of street lighting situations.

Luminaire Controller NEMA (optional):

The Luminaire Controller NEMA is a remote LED luminaire control device compatible with ANSI C136.41 NEMA sockets. It can operate fixtures via DALI or 0-10V analog control interfaces and now also supports LoRaWAN®, ZIGBEE and 4G networks. This controller provides a reliable power connection via three rugged twist-lock contacts.

A sensor mounting position is reserved on the top to facilitate future installations

