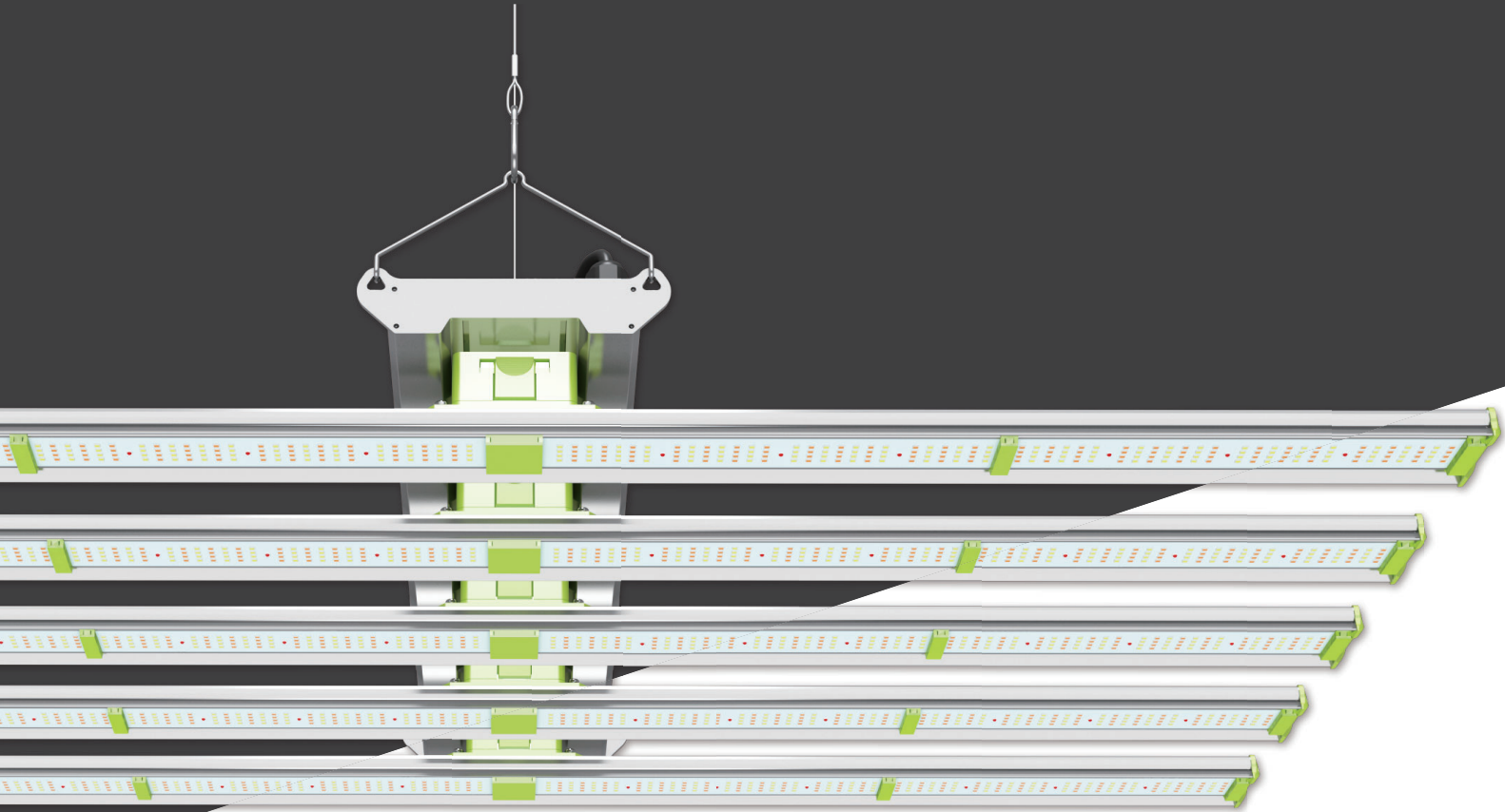


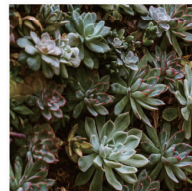
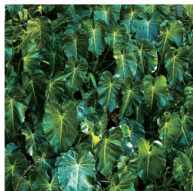
WEICREA

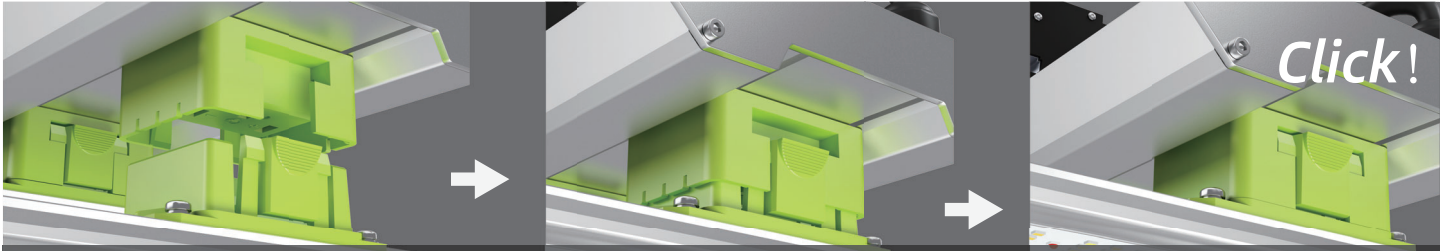
C211214



OSRAM

Series
CROPLUSTRE

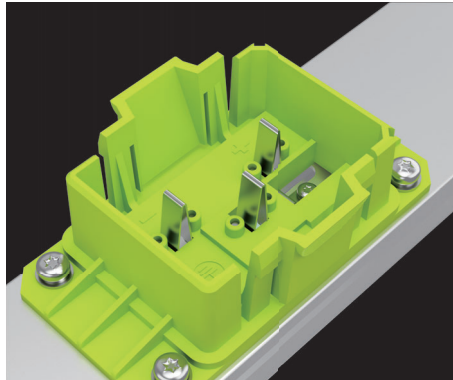




Unique tool-free plug design for LED bars, need only one step to install or remove. To stock the LED bar to replace the traditional whole lamp stocking, not only save the cost for unnecessary parts, storage fee and space, but also greatly reduces the maintenance costs.



Powered by SAMSUNG & OSRAM with Waterproof nano protective layer coated



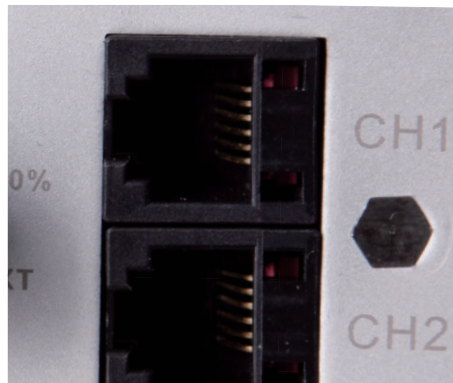
Plug designed with grounding protection to keep more safety



Covers for wires and screws, clean and tidy illumination surface



5-Stage Dimming (0-100%)



RJ25 Centralized Control Ports



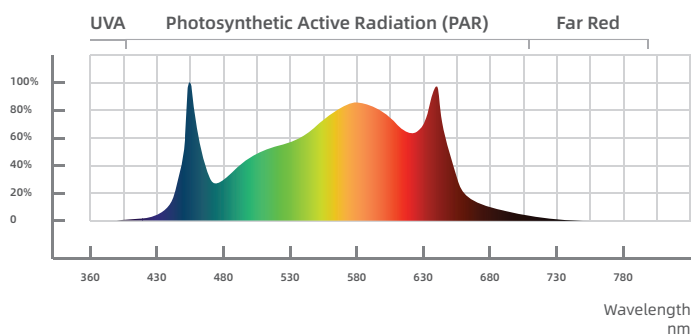
Detachable Driver Plate with Multi-aspects Hanging Hole



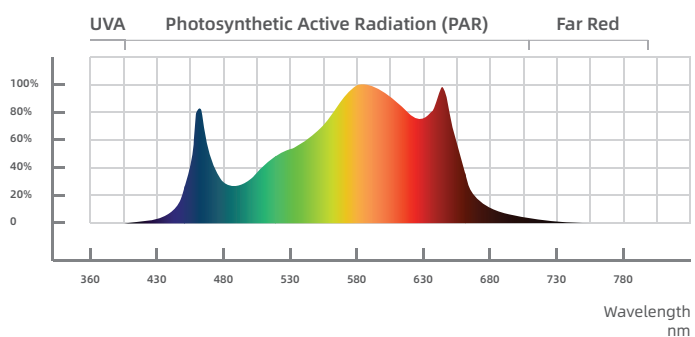
Both ends with pluggable waterproof connectors, make the driver replacement more easy and convenient.

Spectra

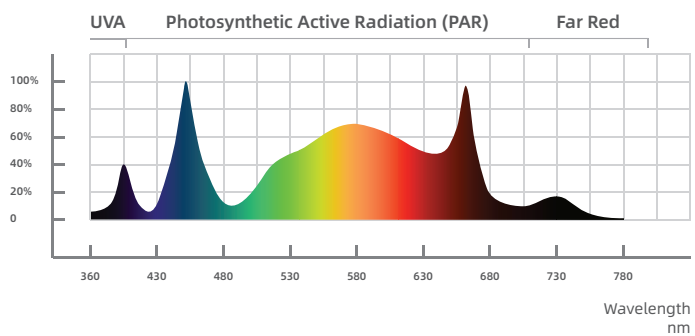
High Efficiency (All Grow Stages) - Spectrum Code: S001STD



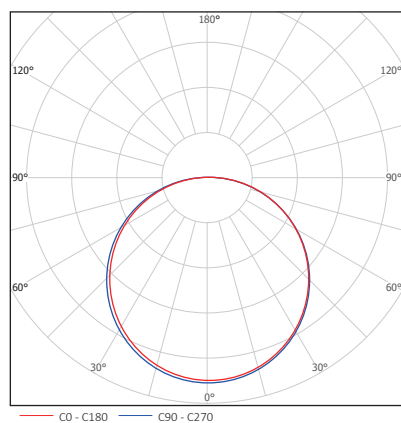
Flowering and Fruiting - Spectrum Code: S002STD



Full Spectrum + UV & IR - Spectrum Code: S003STD



Light Distribution



Product Specifications

Main

Model No	CL420-4	CL650-6	CL750-7
Nominal Wattage	420W	650W	750W
Performance	PPE PPF 2.8 $\mu\text{mol}/\text{J}$ 1,176 $\mu\text{mol}/\text{s}$	2.8 $\mu\text{mol}/\text{J}$ 1,820 $\mu\text{mol}/\text{s}$	2.8 $\mu\text{mol}/\text{J}$ 2,100 $\mu\text{mol}/\text{s}$
Bar 522 LEDs / Bar	4 Bars 2,088 LEDs	6 Bars 3,132 LEDs	7 Bars 3,654 LEDs




Electrical

Nominal Voltage	AC 100-240V / 277V, 50 / 60Hz
LED	SAMSUNG LM301B + OSRAM 660 nm
Driver	Sosen
LED CCT & Wavelength	3000K, 5000K, 660nm
CRI	RA > 80
Beam Angle	120 deg
PF	> 0.95
THD	< 15%
Dimming	0-10V, Knob Stages: OFF- 25- 50- 75- 100%- EXT (External Dimming enable when dimmer connected.)
Centralized Control Ports	2 x RJ45 (6P6C)

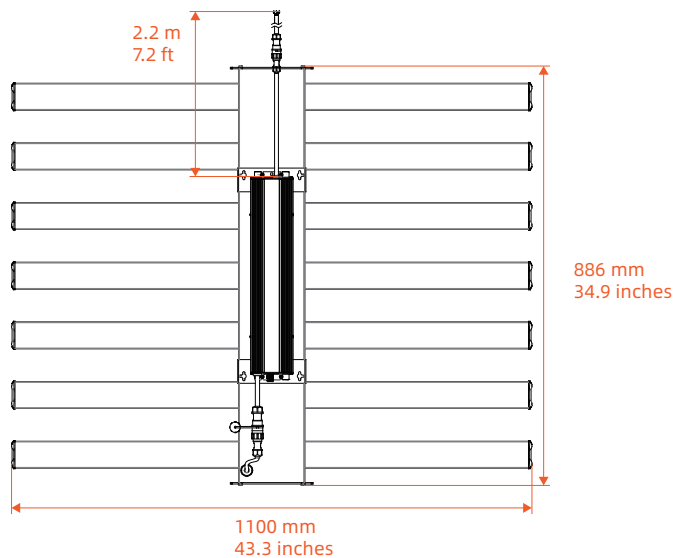
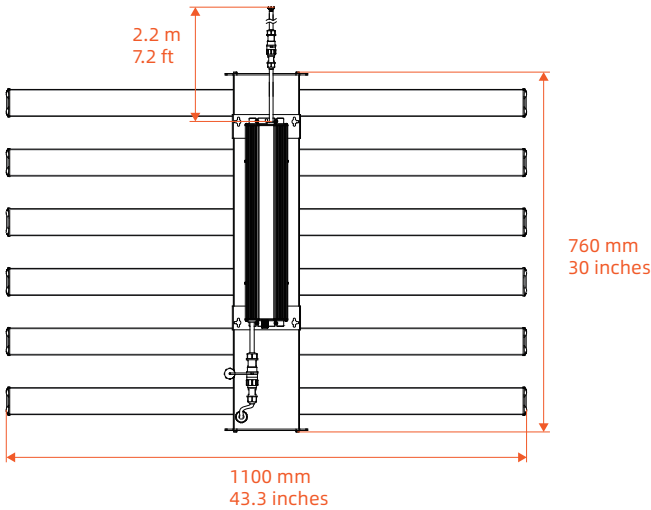
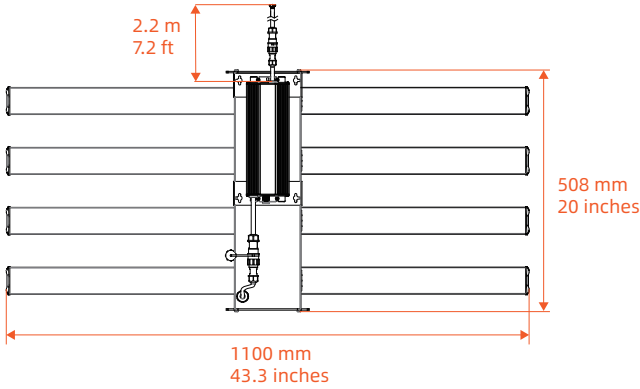
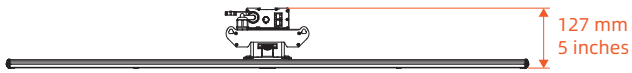
General

Body Material	Aluminum with oxide treatment, PC
Housing Color	Light Silver + Lime Green
LED Surface Protection	Waterproof Acrylic Conformal Coating
Working Environment	< 40°C, 10% ~ 90%RH
Thermal Management	Passive
Lifespan L90 at 25 °C	> 50,000 hours (11.4 years @ 12 hours/day)
Mounting Type	Hanging (Default comes with 2 pcs of 1/8" Rope Hanger - Not suitable for prolonged exposure under UV)
Protection Class	Class I
IP Rating	IP65
Certifications	CE, RoHS
Warranty	5 year

Available on Request

LED Brand	SAMSUNG, OSRAM, LEDSTAR or on request
PPE	2.6 - 2.8 or on request
Driver	on request
Spectrum	According to plant or Customer specified
UV, IR	Seoul Semiconductor UVA 385nm, OSRAM IR 730nm or on request
Input Voltage	On request
Body Color	> 500 units
Label	No M.O.Q. for customize in standard label (Black& White)
Carton Printing	Black (> 50), Colored (> 500)
Output Cable Length	if the driver needs to be fixed on the shelf (Default length: 0.35m/ 1.15ft, 14 AWG)
Input Cable Length	Default length: 2.2m/ 7.2ft, 17 AWG
Wire Sling Length	Suitable for use in the environment with fixed installation height and direct UV exposure (e.g. sunshine)
Plugs	   or others on request, standard with 3 cores cable (L-N-GND), no plug

Dimensions



CL420-4

L x W x H	1100 x 508 x 127 mm (43.3 x 20 x 5")
Weight	7 kg (15.5 lbs)
Input Cable Length	1.8 m (5.9 ft)

Package

L x W x H	1155 x 265 x 175 mm (45.5 x 10.5 x 6.9")
Weight	8.5 kg (18.8 lbs)
Unit / Ctn	1

CL650-6

L x W x H	1100 x 760 x 127 mm (43.3 x 30 x 5")
Weight	10.5 kg (23.2 lbs)
Input Cable Length	1.8 m (5.9 ft)

Package

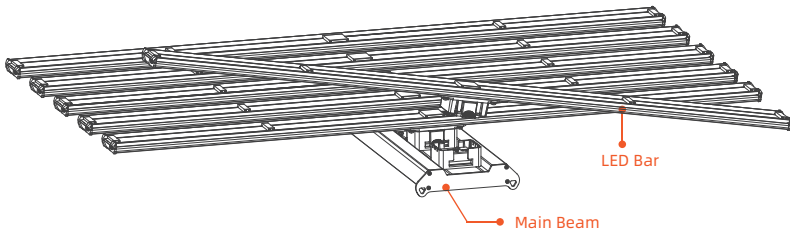
L x W x H	1175 x 400 x 200 mm (46.3 x 15.8 x 7.9")
Weight	12.5 kg (27.6 lbs)
Unit / Ctn	1

CL750-7

L x W x H	1100 x 886 x 127 mm (43.3 x 34.9 x 5")
Weight	11.5 kg (25.4 lbs)
Input Cable Length	1.8 m (5.9 ft)

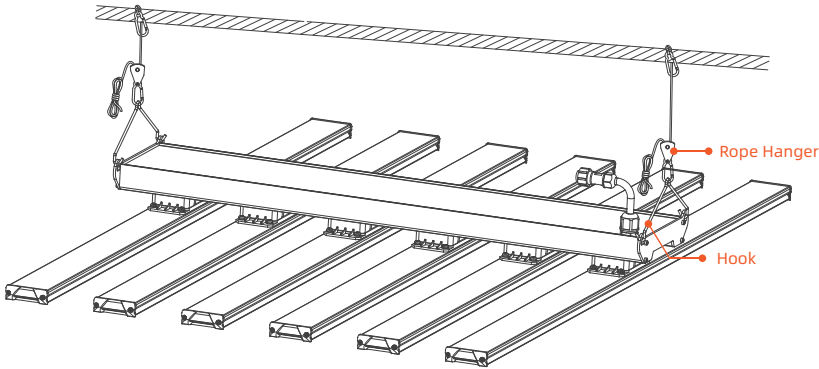
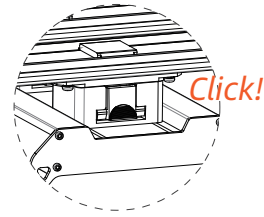
Package

L x W x H	1175 x 400 x 200 mm (46.3 x 15.8 x 7.9")
Weight	13.5 kg (29.8 lbs)
Unit / Ctn	1



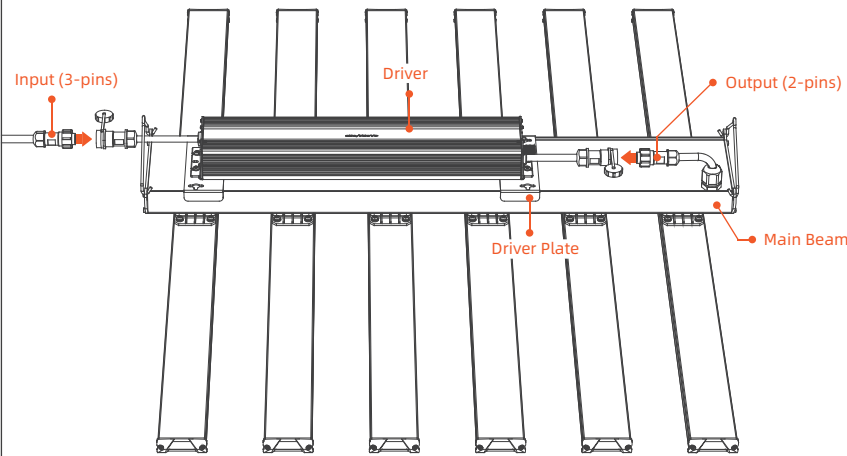
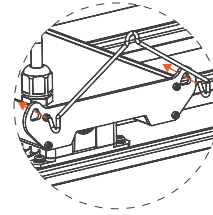
STEP 1:

Install the LED Bars to Main Beam, please notice the direction of the pins.



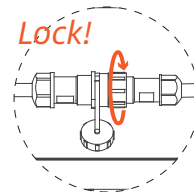
STEP 2:

Install hooks on both sides and hang on the luminaire to the rope hangers

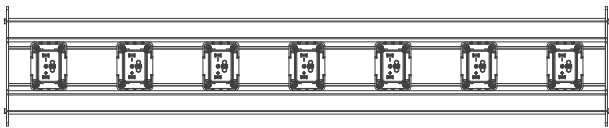


STEP 3:

Put the Driver on the Main Beam, or hang it on the Planting Rack by holes in the Driver Plate (need to customize the length of the output cable), then connect and lock the output and input connectors to the Driver.



Product Parts List



Main Beam x1



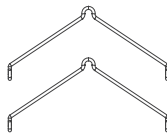
CL420-4 LED Bar x4

CL650-6 LED Bar x6

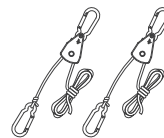
CL750-7 LED Bar x7



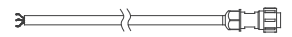
LED Driver with Plate x1



Hook x2



Rope Hanger x2



Input Cable x1