

Street Light Variable Adapter



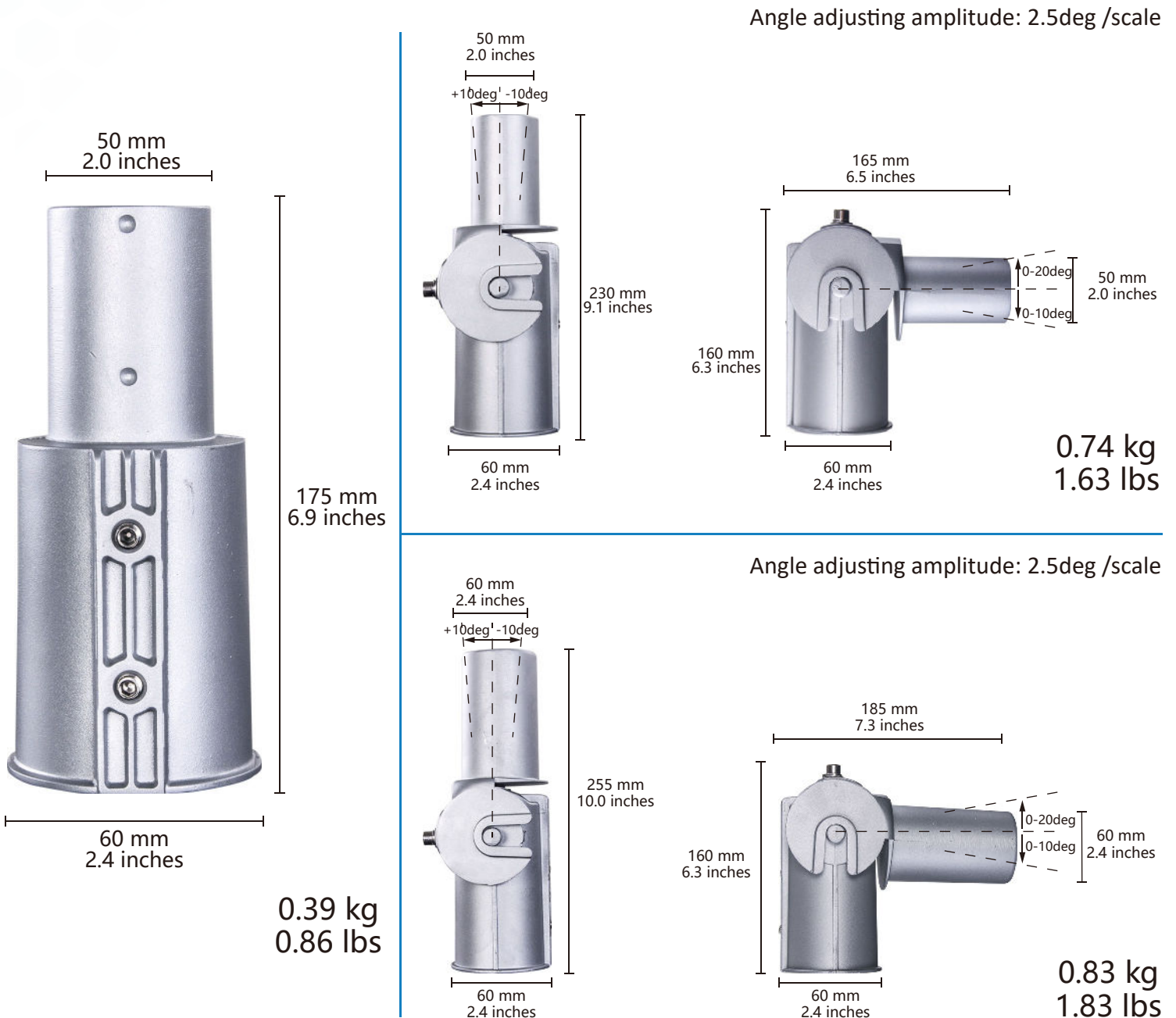
Overview

High-pressure die casting aluminium, superior material, sturdy and durable, multi-angle adjusting. It can be used for $\Phi 60\text{mm}$ poles, meeting the requirements for both $\Phi 50\text{mm}$ and $\Phi 60\text{mm}$ luminaire fitter.

Color Options

Sliver Gray
 Black

Dimensions





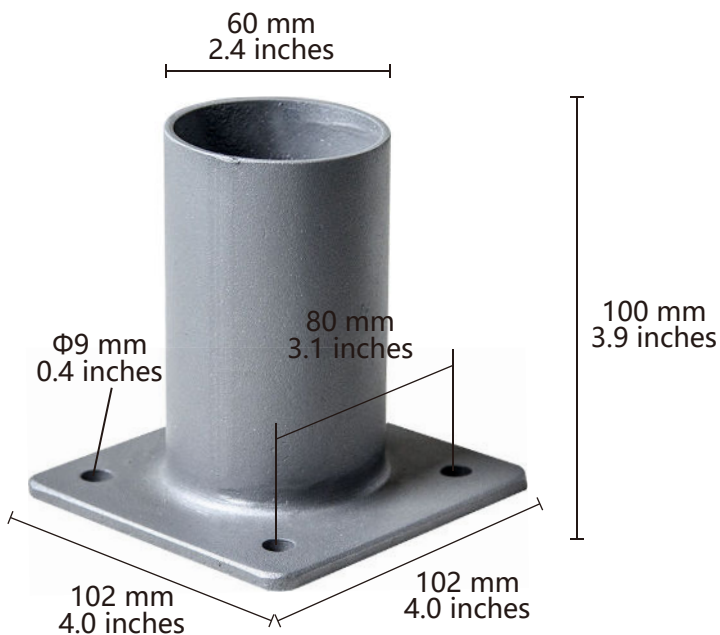
Overview

High quality steel, exquisite workmanship, sturdy and durable, T-shaped and L-shaped optional. Suitable for wall mounting, meeting the requirements for $\Phi 60\text{mm}$ luminaire fitter.

Color Options

■ Silver Gray ■ Black

Dimensions





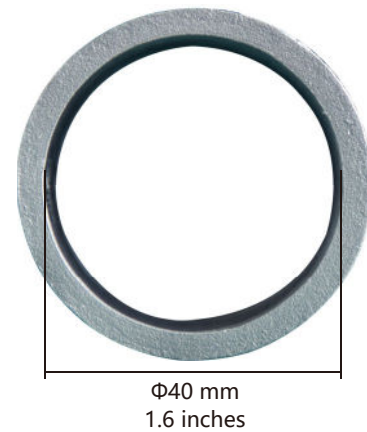
Overview

High quality steel, superior material, sturdy and durable. It can be used for $\Phi 40\text{mm}$ poles.

Color Options

■ Silver Gray ■ Black

Dimensions



Street Light Variable Adapter



Overview

High-pressure die casting aluminium, superior material, sturdy and durable, multi-angle adjusting. It can be used for $\Phi 80\text{mm}$ poles, meeting the requirements for $\Phi 60\text{mm}$ luminaire fitter.

Color Options

Sliver Gray Black

Dimensions

Angle adjusting amplitude: 2.5deg /scale

