

ZGSM-ST17-30S

Introducing a New Premium Experience



CE CB RoHS
LM-79 LM-80 TM-21 ENEC



Specifications

Electrical Specifications:

Model No.	ZGSM-ST17-30S
Nominal Wattage	30W
Nominal Voltage	AC 100-240V /277V, 50/60Hz
LED	Lumileds, Luxeon 3030 2D
Driver	Inventronics, EBS-040S105BT2
Optional Function	OLC, NTC, StepDIM, 0(1)-10V, DALI
Operating Temperature	-40 °C to +50 °C
Power Factor (PF)	> 0.95
THD	< 15
Protection	Class I (Class II optional)
SPD	10KV (20KV optional)

Photometric Specifications:

Lumen Output *Regular Version: 4500 lm (±5%)*

Optic *TYPE II, TYPE III*

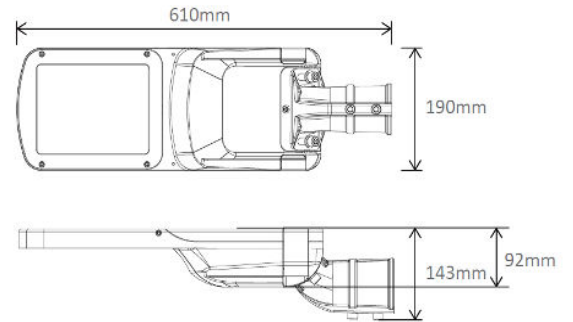
CRI *Ra ≥ 70 (80 optional)*

CCT

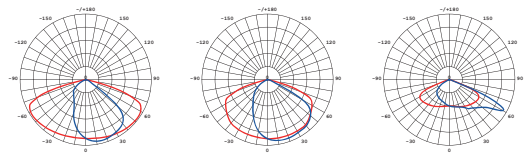


Mechanical Specifications:

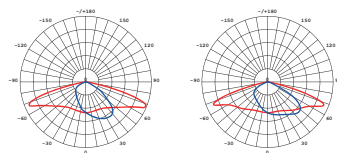
Ratings	IP66, IK10
Lifetime	> 100, 000 hours-L70, @25 °C (77 °F)
Body	High pressure die-cast aluminum, self cleaning
Pole Fitter Diameter	48-60mm
Lens	UV-resistant Polycarbonate
Fixture Dimension	610 x190 x143 mm
Packing Dimension	545 x240 x175 mm
Fixture Weight	4.6 kg
Packing Weight	5.1 kg



3030 Version

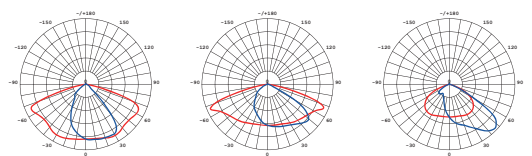


T2S53001 T3S53002 T3S53003

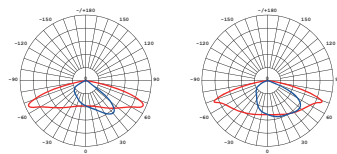


T2M53007 T3M53009

5050 Version



T2S55004 T3M55005 T3S55006



T2M55008 T3M55010

Optional accessories:



Photocell



Shorting Cap



Smart Controller



Motion Sensor



Camera



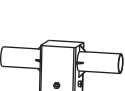
(3/5/7pin) NEMA Socket



Killless Switch



ZHAGA Socket



Adapters