

# ZGSM-GS04-150B

Introducing a New Premium Experience



ISO 9001  
ISO 14001  
ISO 50001

CE CB RoHS 

LM-79 LM-80 IK10 IP66 TM-21


 5 YEAR WARRANTY

## Specifications

### Electrical Specifications:

Model No.	ZGSM-GS04-150B
Nominal Wattage	150W
Nominal Voltage	AC 100-240V /277V, 50/60Hz
LED Brand	Lumileds, LUXEON 3030 2D
Driver Brand	Inventronics, EUM-150S105DG
Optional Function	NTC, OLC
Operating Temperature	-40 °C to +50 °C
Power Factor (PF)	> 0.95
THD	< 15
Protection	Class I

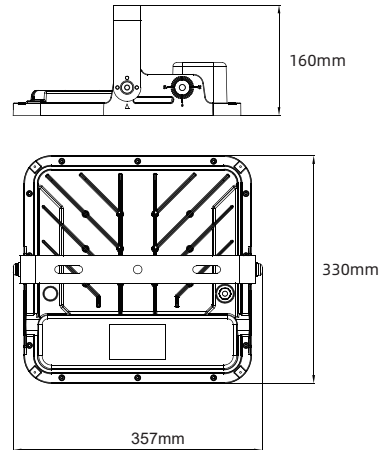
### Photometric Specifications:

Lumen Output	23250 lm ( $\pm 5\%$ )
Optic	Type III, T3S53003
CRI	Ra>70
CCT	 5700k

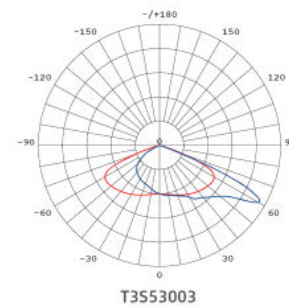
### Mechanical Specifications:

Ratings	IP66, IK10
Lifetime	> 100,000 hours -L <sub>90</sub> , @25 °C (77 °F)
Body	High pressure die-cast aluminum
Housing color	RAL 9005
Cover	Tempered glass
Lens	UV-resistant Polycarbonate
Fixture Dimension	357 x330 x160 mm
Packing Dimension	380 x380 x150 mm
Fixture Weight	4.0 kg
Packing Weight	4.6 kg

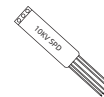
### Drawing:



### Light Distribution Options:



### Optional accessories:



Extra 10KV SPD