

# ZG-1022

## Post Top Luminaires

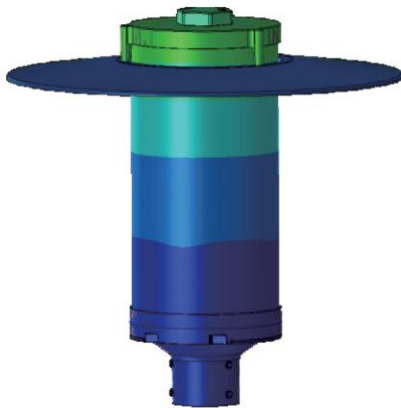
---



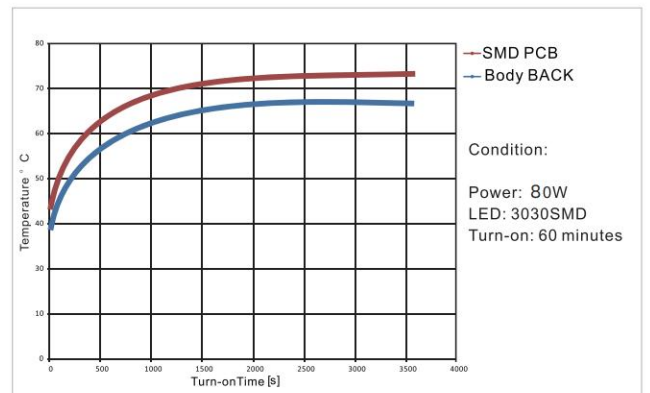


## HEAT DISSIPATION PERFORMANCE

Advanced FEA technology designs for the structure thermal transfer to guarantee the LED PCB and chips can use for long life.



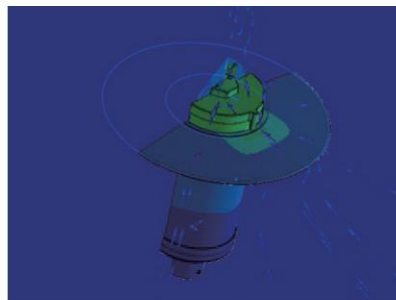
Heat Distribution



Temperature Rise



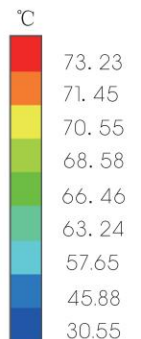
Heat Distribution

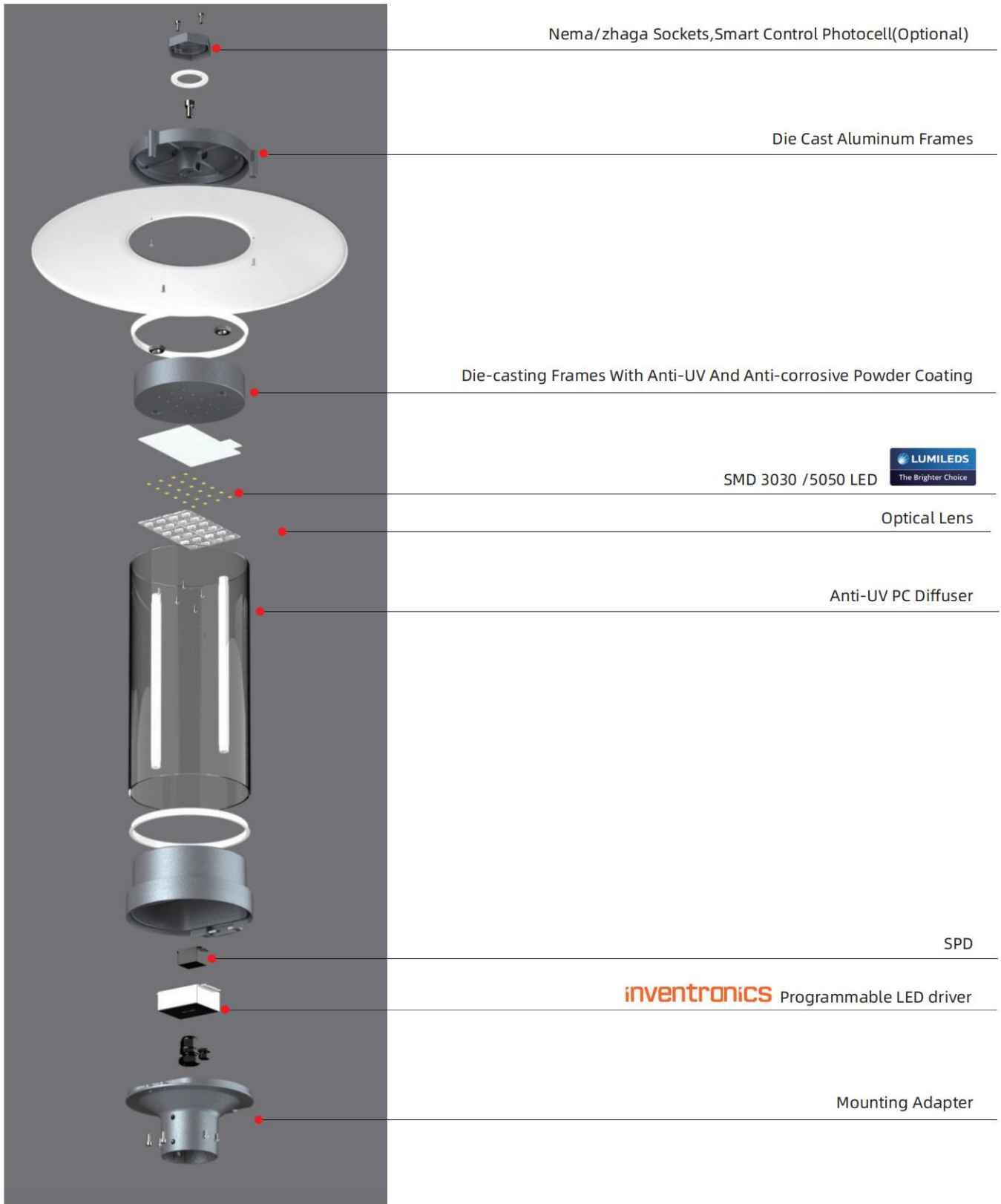


Thermal Effects to Air

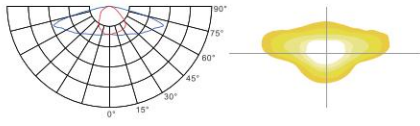


Thermal Air Convection

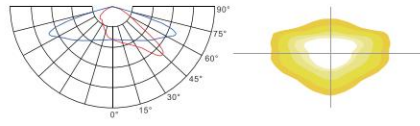




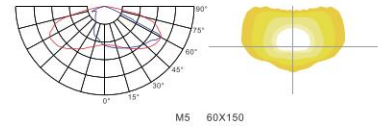
Light Distributions



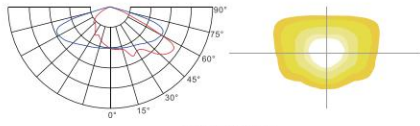
Type I 30x150



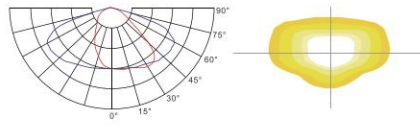
Type II 45x140



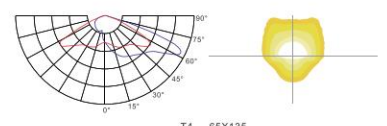
M5 60x150



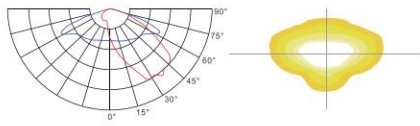
Type III 58x130



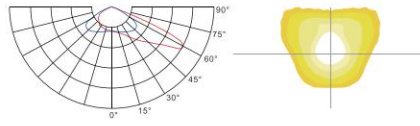
Ver.B 35x140



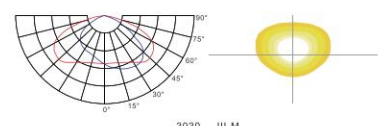
T4 65x135



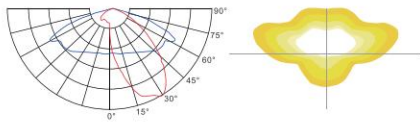
M1 45x130



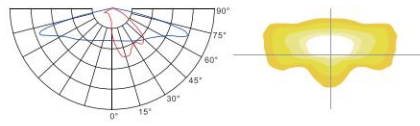
M6 60x135



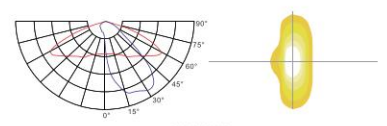
3030 III-M



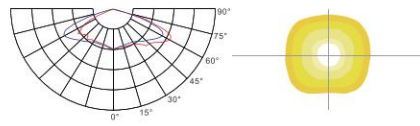
R3 25x140



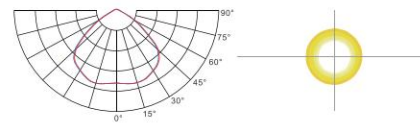
P4 20x145



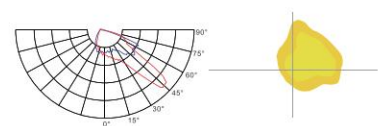
M2 30x130



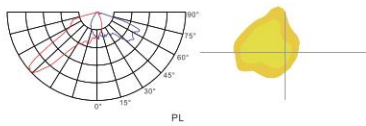
Type V 130x130



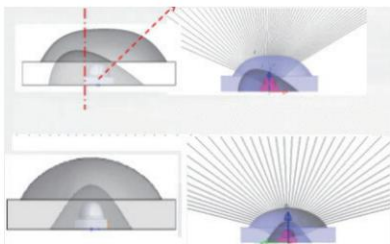
V90 90x90



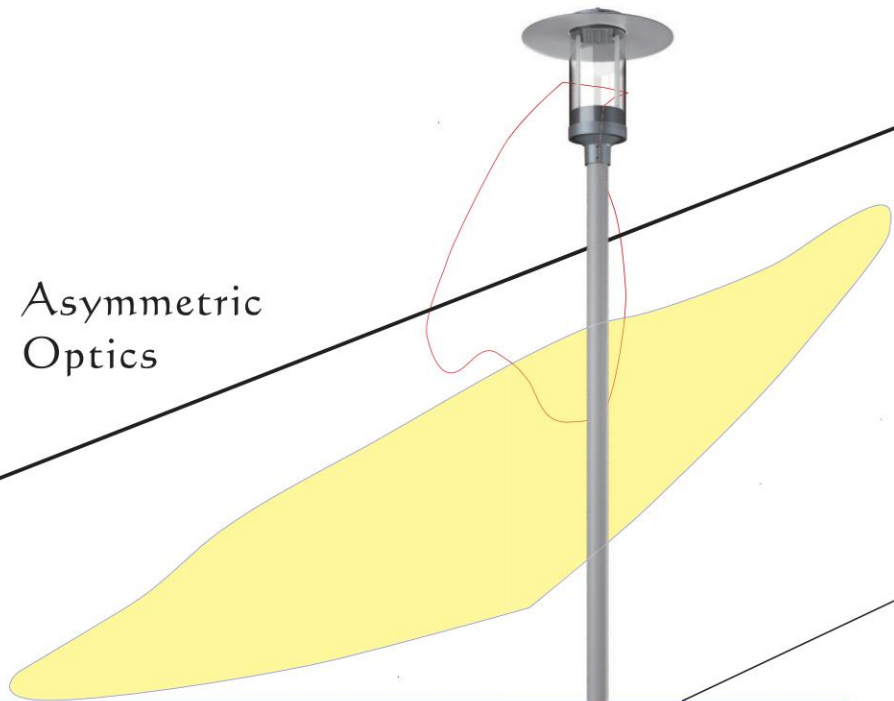
PR



PL



Asymmetric  
Optics



## SUGGESTED INSTALLATION HEIGHT

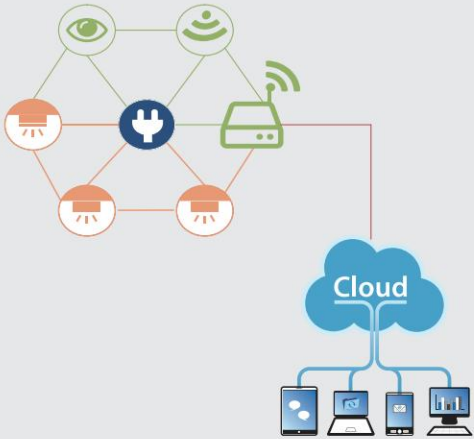


## CHARACTERS

Power	40W	60W
Protection Class	CLASS I/II	
IP/IK Rating	IP66, IK08	
Color Temperature	2200K-6500K	2200K-6500K
Efficiency	135-150 LM/W	135-150 LM/W
CRI	70/80	70/80
Input Voltage	AC 90-305V/347V/480V, 50/60Hz	
Driver Suggest	INVENTRONICS EBS, INVENTRONICS EUM	
Dimming	1-10V Dimming (Default) /Timer Dimming	
Surge Recommendation	10KV (Default) / 20KV (available on request)	
LED Type	LUMILEDS SMD LED	
LED Quantities 3030	64	96
Pcb Input Current (3030)	48V 725mA	96V 560mA
LED Quantities 5050	24	24
Pcb Input Current (5050)	66V 520mA	66V 820mA
Mounting	On pole with 60 mm top diameter, , adaptor 76 mm top diameter can be chosen	
Material	Die casting with standard adc12 type aluminum, tempered glass, stainless 314 clips and screws. Clear polycarbonate with uv-resistant acrylic. Option for screen for asymmetrical light.	
Painting Color Suggest	RAL9007 Aluminum grey /Other Colors on request	
Available on request	NEMA socket (3/5/7pins), ZHAGA socket, Short cap, Photocell, NTC, OLC, DALI Dimming	
Weight	Net weight: 4.9kgs   Gross weight: 11.0kgs (2units/ctn)	
Packing Size	550x550x270mm (2units/ctn)	



### Smart Control System Optional



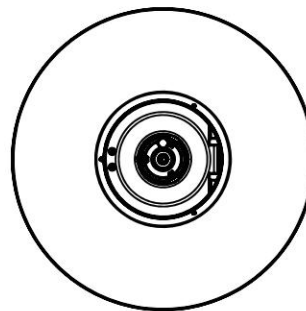
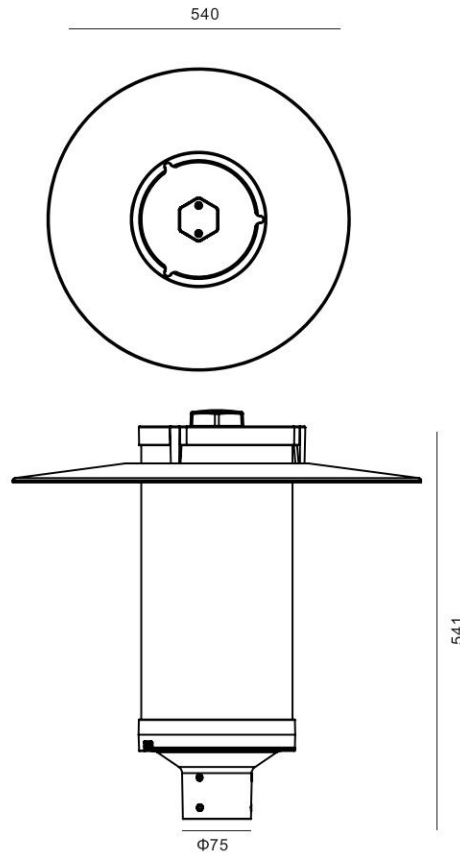
**NEMA**  **Zhaga**

**LoRa**  



**IP66**     **Constant current discharge**

Unit : mm



L ↔ N **6KV**

 **10KV**