

# 6139 Pendant Luminaires

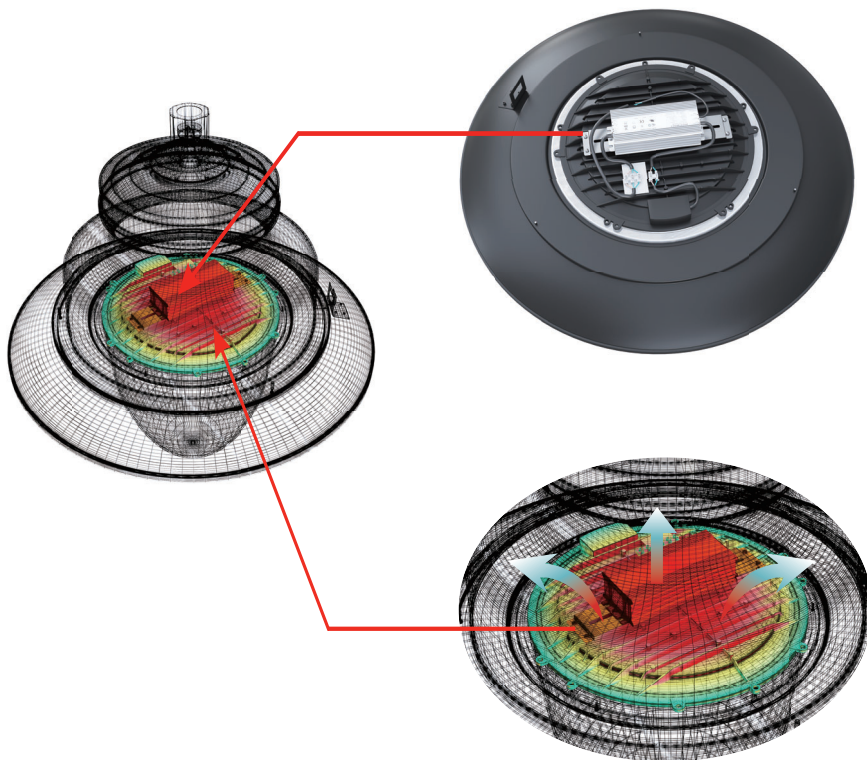
**5** YEAR  
WARRANTY





## HEAT DISSIPATION PERFORMANCE

Advanced FEA technology designs for the structure thermal transfer to guarantee the LED PCB and chips can use for long life.

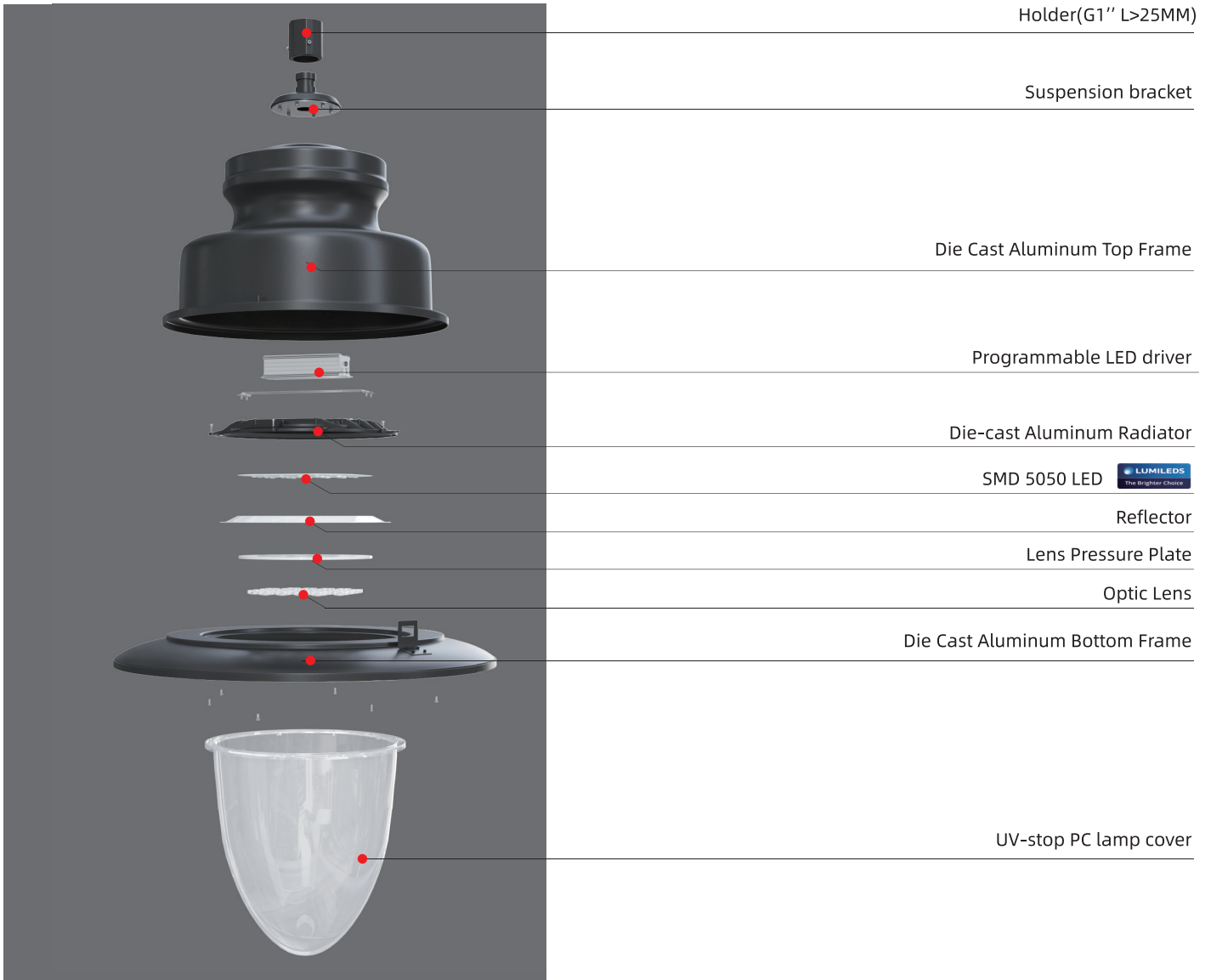


Non-contact structure for LED drivers and heat sinks. The electrical parts are in cool status.

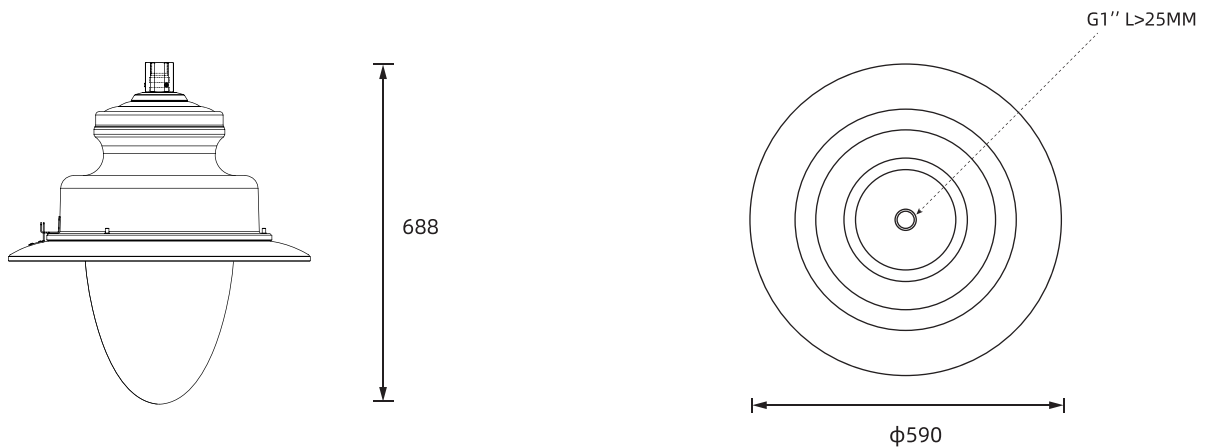
The internal die-cast aluminum heat sink is designed to effectively dissipate heat from the LED and enhance the light flux maintenance rate.

## **THERMAL- ELECTRICAL DIVIDED**

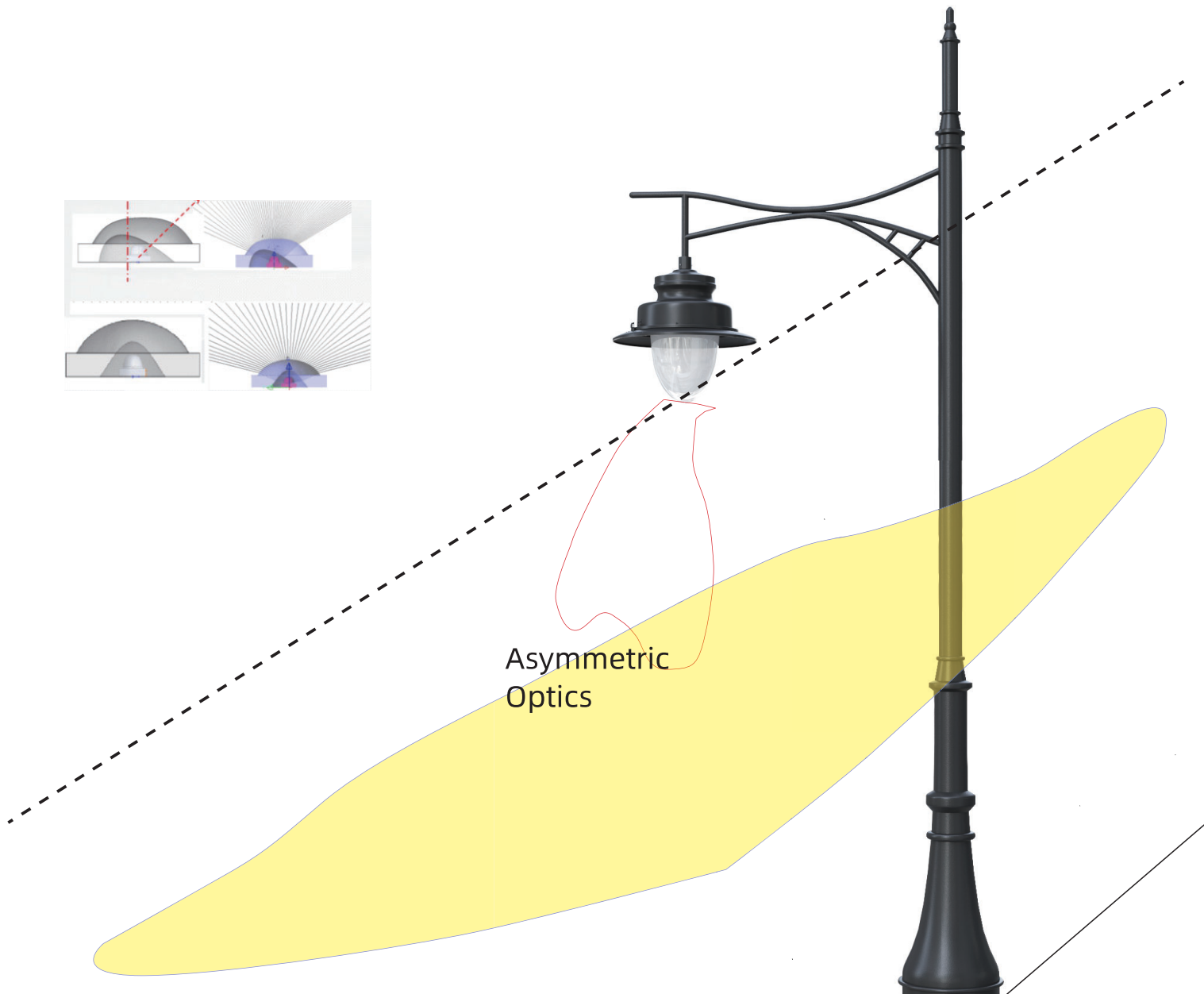
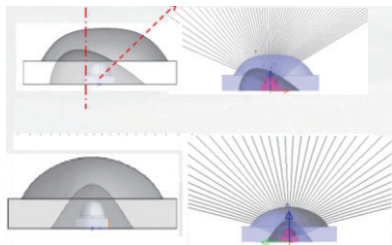
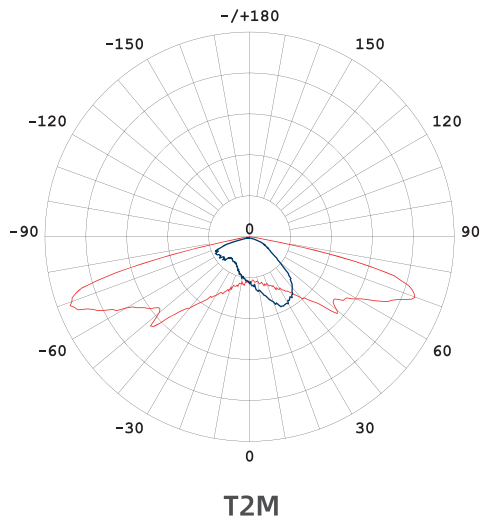
Product Overview



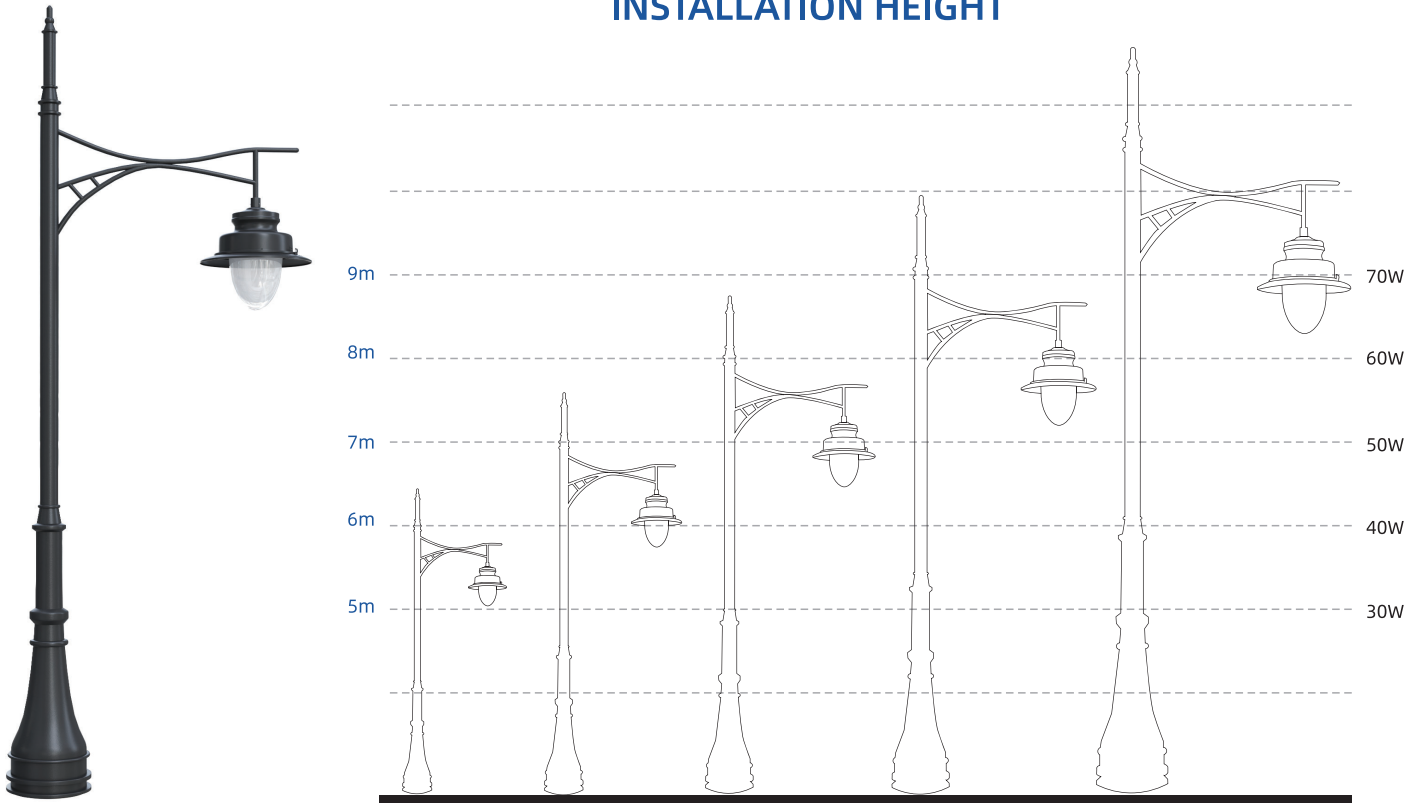
Dimension(mm)



Light Distributions



## SUGGESTED INSTALLATION HEIGHT



## CHARACTERS

Model No	ZGSM-6139-30	ZGSM-6139-40	ZGSM-6139-50	ZGSM-6139-60	ZGSM-6139-70
Power	30W	40W	50W	60W	70W
Protection Class	CLASS I/II/III				
IP/IK Rating	IP66, IK08				
Color Temperature	2200K-6500K	2200K-6500K	2200K-6500K	2200K-6500K	2200K-6500K
Efficiency	135 LM/W	135 LM/W	135 LM/W	135LM/W	135 LM/W
CRI	70/80	70/80	70/80	70/80	70/80
Input Voltage	100-240/277VAC, 50/60Hz				
Driver Suggest	INVENTRONICS or other brands				
Dimming	1-10V Dimming (Default) /Timer Dimming				
Surge Recommendation	10KV (Default) / 20KV (available on request)				
LED Type	LUMILEDS SMD 5050 or other brands				
Mounting	Suspending with installation spigot G1" L>25MM				
Material	Die casting with standard ADC12 type aluminum, stainless 314 clips and screws. Clear polycarbonate with uv-resistant acrylic.				
Painting Color Suggest	RAL9005 Jet Black /Other Colors on request				
Available on request	NTC, OLC, DALI Dimming, Smart Controller				
Weight	Net weight: 6.5kgs   Gross weight: 7.4kgs				
Packing Size	600x600x540mm				